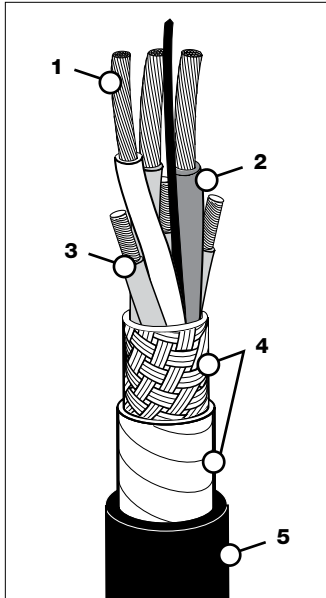


Super-Trex® VFD Shielded Power Cable

- UL Listed
- cUL
- Type TC-ER
- FT-4 Flame Rating
- 600 V
- Corona Resistant to 2,000 V
- Max Conductor Temperature 90°C

Designed specifically for variable frequency drives, Super-Trex® VFD cable features a heavy-duty jacket that provides excellent protection against abrasion, impact, oil, chemicals, heat and flame. Designed to withstand the harsh electrical environment of typical VFD systems, the cable is constructed with both a foil and braid shield and will withstand corona voltages up to 2,000 volts. Symmetrical ground wires are used to reduce the effect of common-mode-voltage noise. Ideal for harsh environment VFD applications where a longer lasting cable is desired.



FEATURES & BENEFITS

- 1. FINELY STRANDED COPPER CONDUCTORS** – Improves flexibility and extends conductor life in dynamic applications.
- 2. TSE INSULATION** – Corona resistant insulation designed for VFD applications.
- 3. THREE INSULATED GROUNDS** – Reduces overall cable O.D.
- 4. ULTRA-SHIELD CONSTRUCTION** – Combination tinned copper braid and foil shield for maximum RF and EM protection.
- 5. SPECIALLY COMPOUNDED SUPER-TREX® TSE JACKET** – Superior protection against oil, ozone, sunlight, UV, chemicals, heat and flame. Excellent all weather flexibility.

APPLICATIONS

- Variable Frequency Drive Systems
- Shielded Power Cable

COLOR CODE

- Black with alpha-numeric identification

ADD KORD-GARDS® OR GRIP-SEALS® TO COMPLETE YOUR ORDER!
See pages 129-137.



ORDERING INFORMATION (MINIMUM PURCHASE MAY BE REQUIRED IF PRODUCT NOT STOCKED)

PART NO.	POWER COND SIZE AWG/COND	POWER COND STRANDING	GROUND SIZE COND/AWG ¹	AMPACITIES ²			NOMINAL O.D. (IN)	WT. (LBS) PER 1000'
				IN FREE AIR	IN CABLE TRAY	IN CONDUIT		
89103	#4 - 3 Cond	259 x 0.0127	3 x 12 AWG	114	95	89	1.19	1101
89104	#2 - 3 Cond	259 x 0.0160	3 x 10 AWG	152	130	119	1.34	1512
89106	1/0 - 3 Cond	266 x 0.0199	3 x 10 AWG	205	170	163	1.61	2174
89107	2/0 - 3 Cond	342 x 0.0199	3 x 10 AWG	237	195	186	1.70	2510
89109	4/0 - 3 Cond	532 x 0.0199	3 x 8 AWG	316	260	253	1.99	3727
89110	262 kcmil - 3 Cond	646 x 0.0199	3 x 6 AWG	362	297	285	2.21	4581
89111	373 kcmil - 3 Cond	925 x 0.0199	3 x 6 AWG	449	363	357	2.45	5968
89112	444 kcmil - 3 Cond	1110 x 0.0199	3 x 6 AWG	497	402	395	2.60	6922
89113	535 kcmil - 3 Cond	1332 x 0.0199	3 x 6 AWG	555	445	441	2.85	8246

NOTE: (1) Ground sized in accordance with NEC Table 250.122 + UL1277 whichever is larger.

NOTE: (2) Ampacity in Free Air based on 90°C conductor temperature, 30°C ambient temperature, per NEC Table B310.15(B)(2)(3)

Ampacity in Cable Tray based on 90°C conductor temperature, 30°C ambient temperature, per NEC Table 310.15(B)(16)

Ampacity in Conduit based on 90°C conductor temperature, 30°C ambient temperature, per NEC Table B310.15(B)(2)(1)

Portable Cords
 Power Cables (600 Volt to 35 kV)
 Welding Cables
 VFD/Servo Motor Cables
 Reeling Cables
 Control Cables/Instrumentation
 Bus Cables
 Flat Festoon Cables
 Retractable Coil Cables
 Chemical & Temp. Resistant Cables
 High Temperature Cables
 Igniter Cables
 Thermocouple Extension Wires
 Engineered Custom Cables